

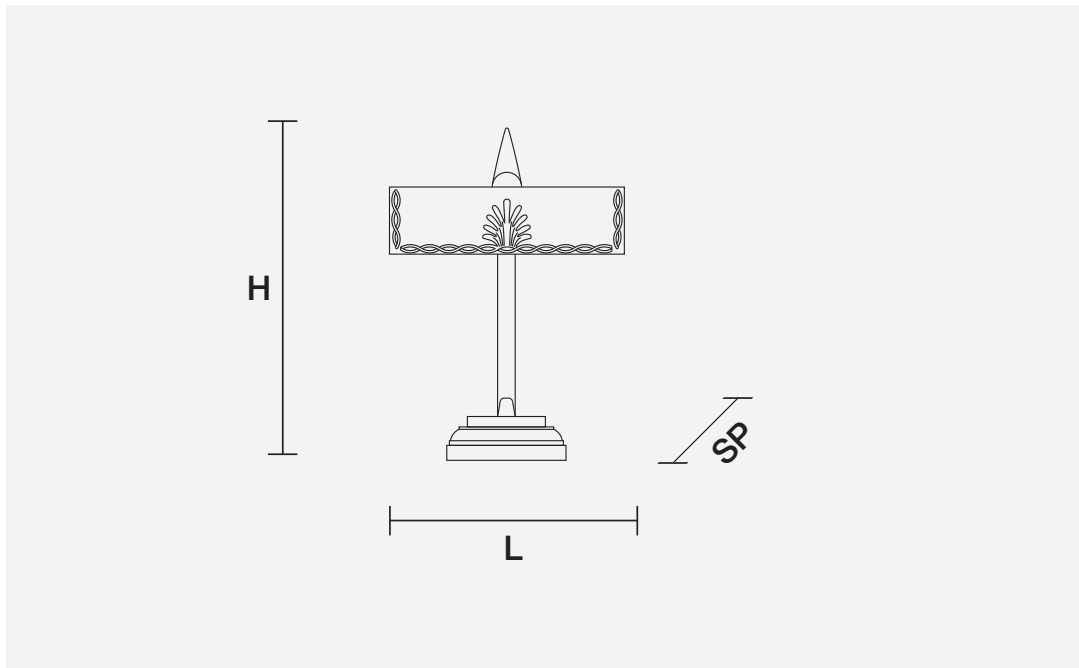
TABLE LAMPS VE 860 TL1

Design by: Studio Stile Masiero




Telaio in metallo dorato.

Gold plated metal frame.



H	35 cm 13.80"
L	20 cm 7.90"
SP	21 cm 8.30"

 1 x E14 x 40W max
Incandescenza/Incandescent



MATERIALI MATERIALS

CUT CRYSTAL

Pendagli in cristallo trasparente molato.

Pendants in transparent cut crystal.

SWAROVSKI® ELEMENTS

Pendagli in cristallo trasparente SWAROVSKI® ELEMENTS.

Pendants in transparent SWAROVSKI® ELEMENTS crystal.

HALF CUT GLASS

Pendagli in vetro semi-molato.

Half cut glass pendants.

MASIERO