

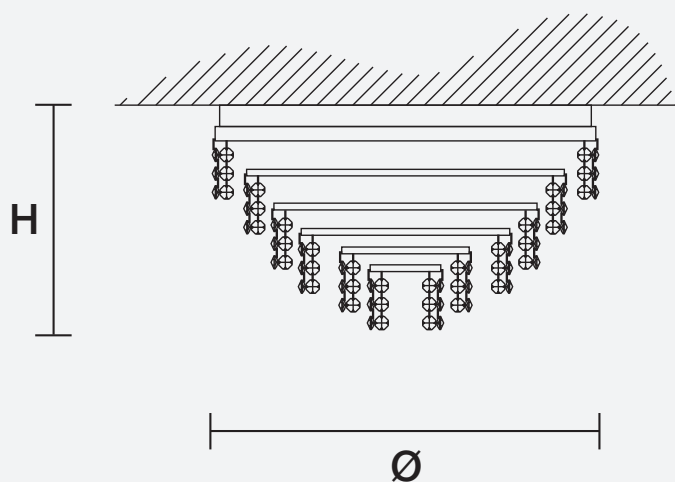
# IMPERO-DECO VE 836 PL3

Design by: Studio Stile Masiero



Telaio in metallo dorato, pendagli in cristallo.

Gold plated metal frame, crystal pendants.



H 25 cm  
9.90"  
Ø 30 cm  
11.90"  
Peso: 3.50 kg

3 x E14 x 40W max  
Incandescenza/Incandescent



## MATERIALI MATERIALS

### CUT CRYSTAL

Pendagli in cristallo trasparente molato.

Pendants in transparent cut crystal.

### SWAROVSKI® ELEMENTS

Pendagli in cristallo trasparente SWAROVSKI® ELEMENTS.

Pendants in transparent SWAROVSKI® ELEMENTS crystal.

### HALF CUT GLASS

Pendagli in vetro semi-molato.

Half cut glass pendants.

MASIERO