

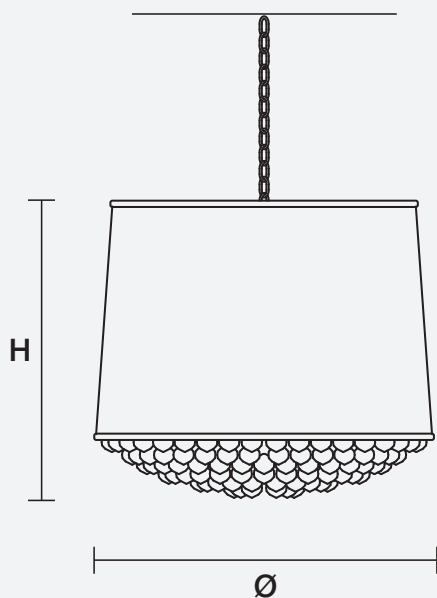
IMPERO-DECO VE 1180 S8

Design by: Studio Stile Masiero



Paralume damascato con pendagli in cristallo.


Damask lampshade with crystal pendants.



H 55 cm
21.65"

Ø 72 cm
28.34"

Peso: 25 kg

 8 x E27 x 60W max
Incandescenza/Incandescent



MATERIALI MATERIALS

CUT CRYSTAL

Pendagli in cristallo trasparente molato.

Pendants in transparent cut crystal.

SWAROVSKI® ELEMENTS

Pendagli in cristallo trasparente SWAROVSKI® ELEMENTS.

Pendants in transparent SWAROVSKI® ELEMENTS crystal.

HALF CUT GLASS

Pendagli in vetro semi-molato.

Half cut glass pendants.