

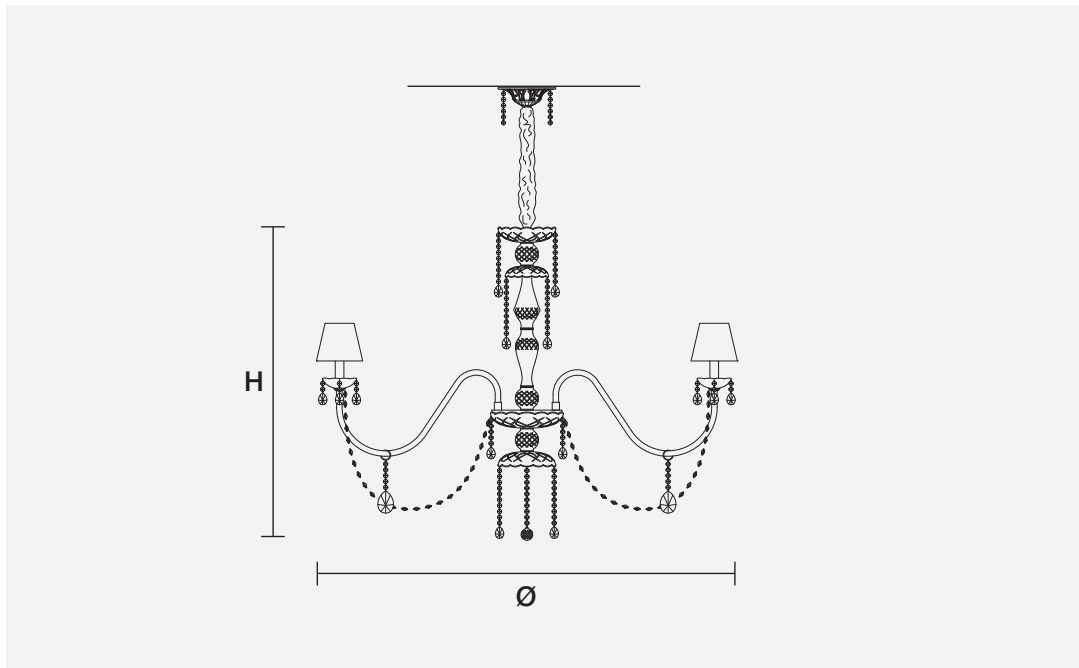
BOHEMIA VE 875 16

Design by: Studio Stile Masiero



Telaio a braccia di vetro soffiato, pendagli in cristallo.


Blown glass arm frame, crystal pendants.



H 120 cm
47.24"

Ø 145 cm
57.08"

Peso: 32 kg

 16 x E14 x 40W max
Incandescenza/Incandescent



MATERIALI MATERIALS

CUT CRYSTAL

Pendagli in cristallo trasparente molato.

Pendants in transparent cut crystal.

SWAROVSKI® ELEMENTS

Pendagli in cristallo trasparente SWAROVSKI® ELEMENTS.

Pendants in transparent SWAROVSKI® ELEMENTS crystal.

HALF CUT GLASS

Pendagli in vetro semi-molato.

Half cut glass pendants.

MASIERO