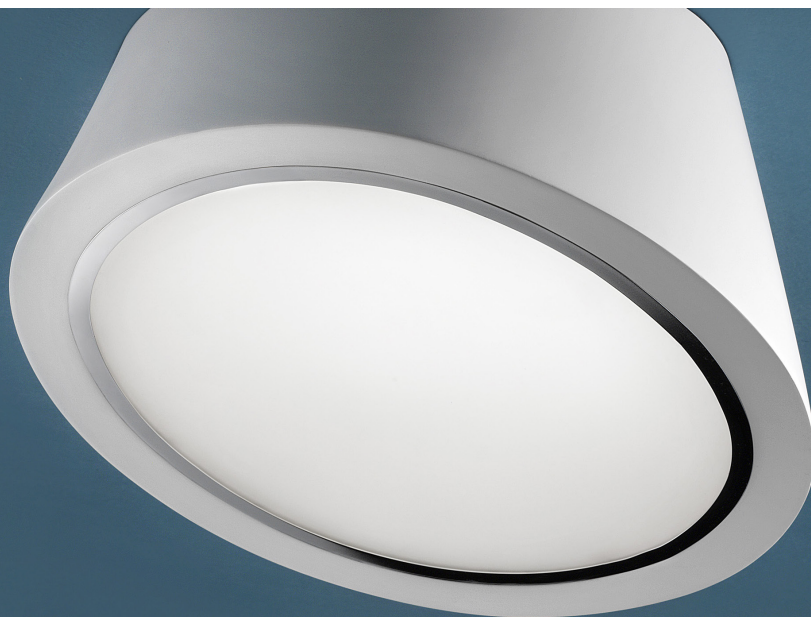


MABELL PL

Design by: Manuel Vivian

MASIERO



Struttura in poliuretano espanso, diffusore in metacrilato opaco con finitura cromata.
Illuminazione LED

Frame made of expanded polyurethane foam, matt chromed finished methacrylate diffuser.
LED lighting system.

Struktur aus Polyurethanschaumstoff, Lichtdiffusor aus matt verchromt gefärbtem Methacrylat.
LED-Beleuchtung.

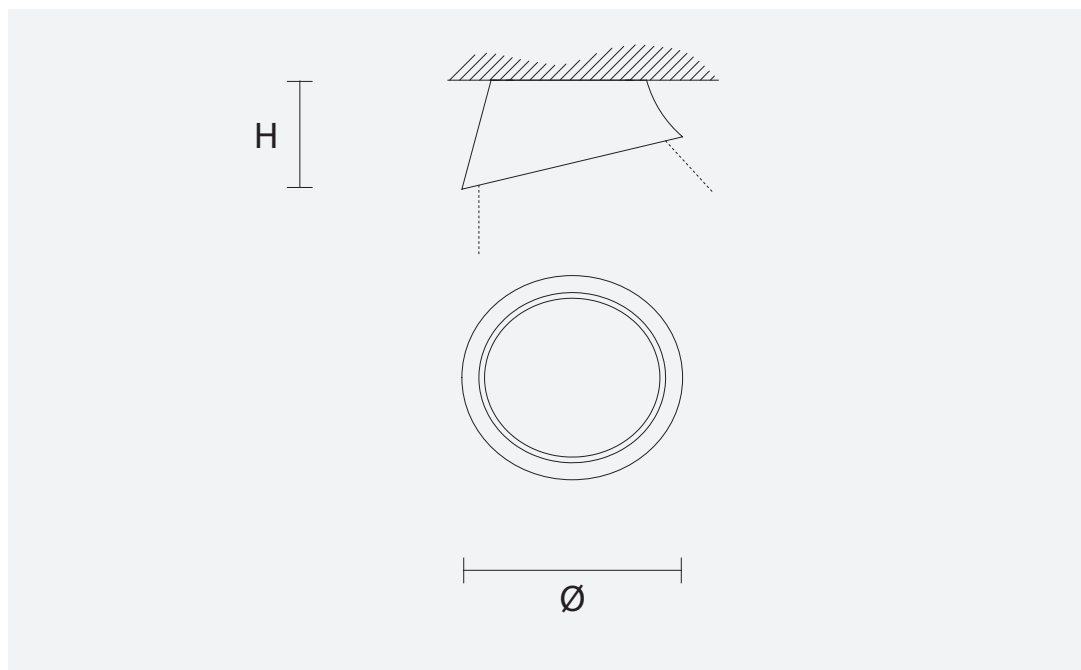
Structure en polyuréthane expansé, diffuseur en méthacrylate chrome mat.
LED éclairage.

Каркас из пенополиуретана, рассеиватель из матового метакрилата с отделкой хромом. Светодиодное освещение



H 20 cm / 7.87"
Ø 38 cm / 14.96"

LED x 17,5 W CRI>80
3000 K - 2050 lm
Dimmable: PUSH + 1-10V*



MTO-M

MRE-M

MGR-M

MOR-M

BK-M

WH-M

MBL-M

MVI-M

MYE-M